

JVC

SERVICE MANUAL

STEREO HEADPHONES

HA-E9-SL(K)

The "Product Exchange System" is applicable to this product.
For limited spare parts, refer to the parts list.



Specifications

Type	: Moving coil
Frequency response	: 8 Hz-24 000 Hz
Nominal impedance	: 32 ohms
Sensitivity	: 98 dB/1 mW
Max.input capability	: 30 mW
Cord length	: 1.2 m (3.94 ft) with 3.5 mm dia.stereo miniplug
Mass	: 36 g (1.27 oz) (without cord) 50 g (1.77 oz) (with cord)

Design and specifications subject to change without notice.

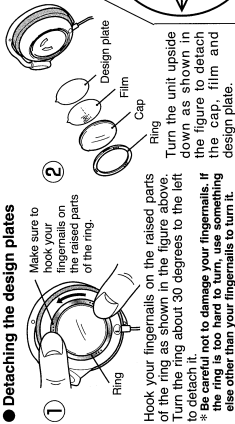
Instruction Manual

INSTRUCTION SHEET STEREO HEADPHONES HA-E9

Thank you very much for purchasing HA-E9 stereo headphones.

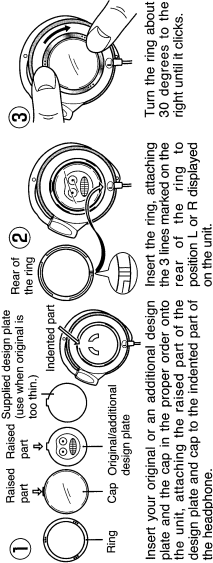
Creating an original model (Plate replacement)

* Be sure to perform these steps correctly, otherwise the ring may fall off while headphones.



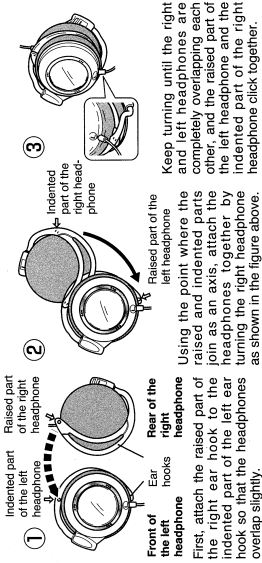
Hook your fingernails on the raised parts of the ring as shown in the figure above. Turn the ring about 30 degrees to the left to detach it.
* Be careful not to damage your fingernails. If the ring is too hard to turn, use something else other than your fingernails to turn it.

Inserting original/additional design plates



Insert your original or an additional design plate and the cap in the proper order onto the unit, attaching the raised part of the design plate and cap to the indented part of the headphone.
* If your original plates are too thin to fit properly on the unit, use the supplied design plates under your originals to secure them tightly.

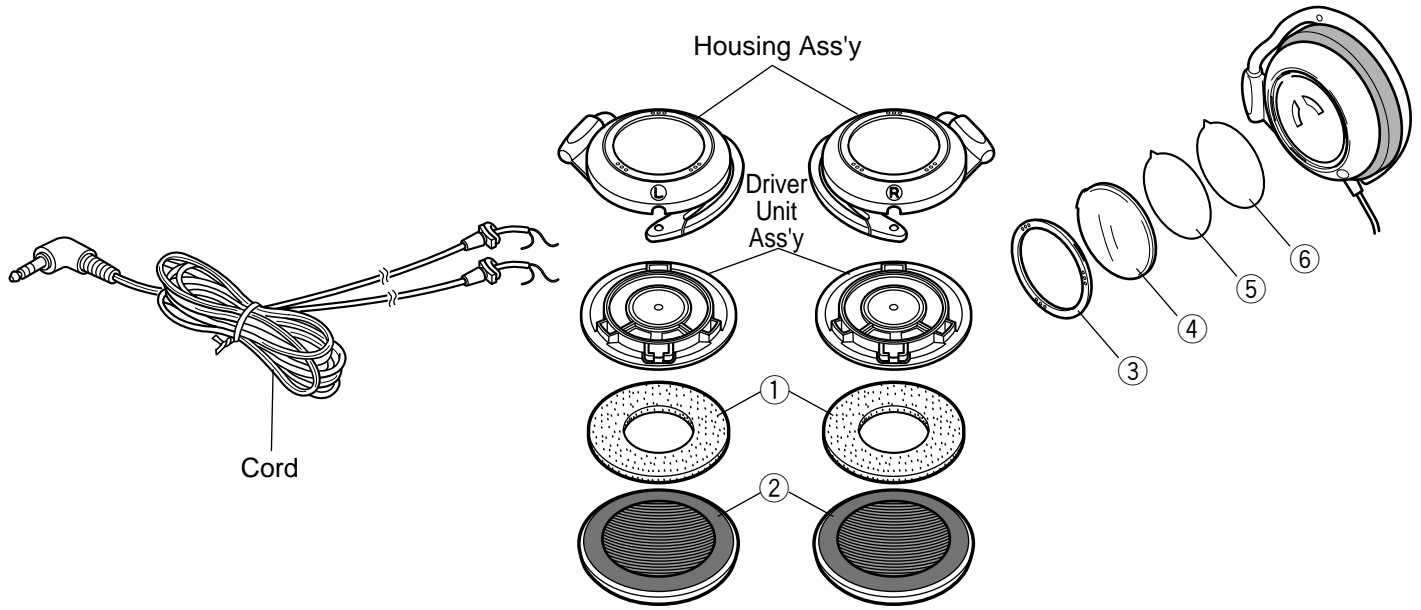
Joining L/R headphones



Using the point where the raised and indented parts intersect as the axis, attach the indented part of the left ear headphones together by turning the right headphone as shown in the figure above.

PRINTED IN JAPAN J46835-001

Disassembly

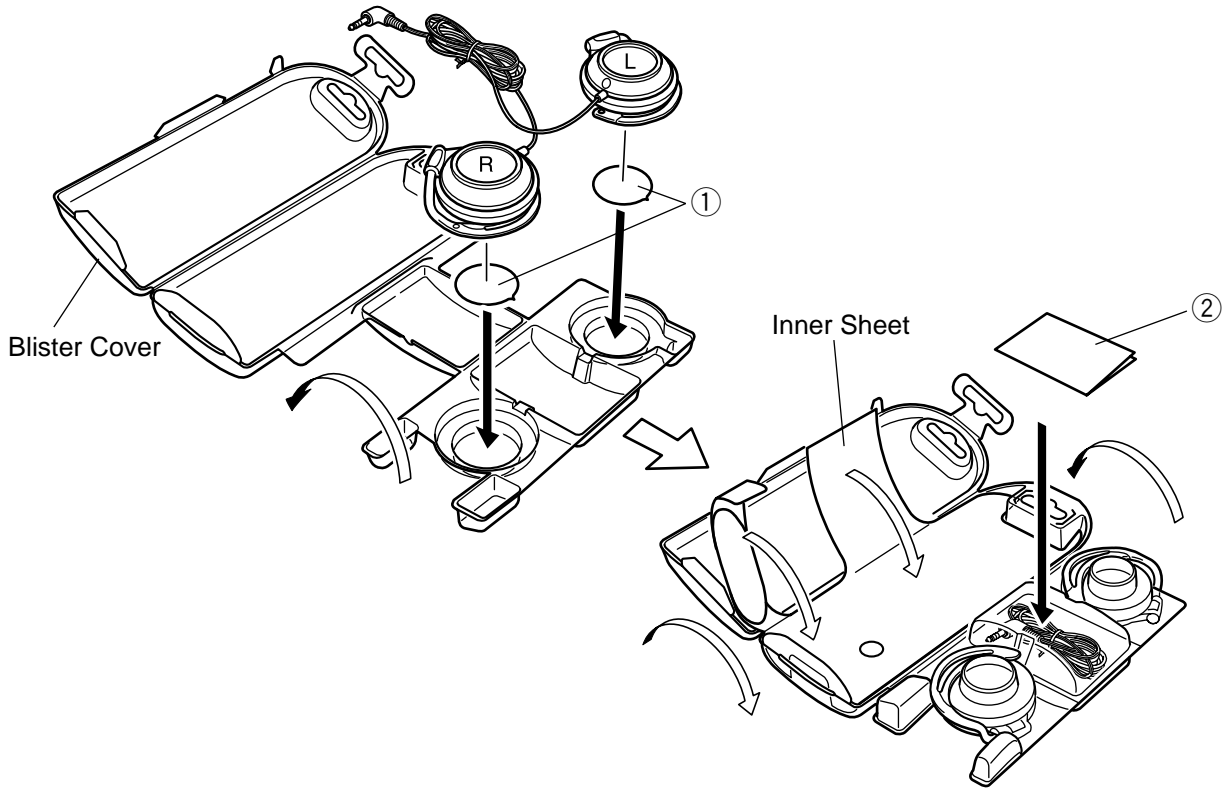


Parts List

△	Item No.	Parts No.	Parts Name	Q'ty	Description
	1	J46773-001	Pad Urethan	2	
	2	J46772-001	Ear Pad	2	
	3	J46727-001	Ring	2	
	4	J46726-001	Cap	2	
	5	J46771-007	Film	2	Gray
	6	J46738-001	Sheet	2	Hologram

* Parts marked (△) are safety parts. When replacing, be sure to use the specified one.

Packing Method

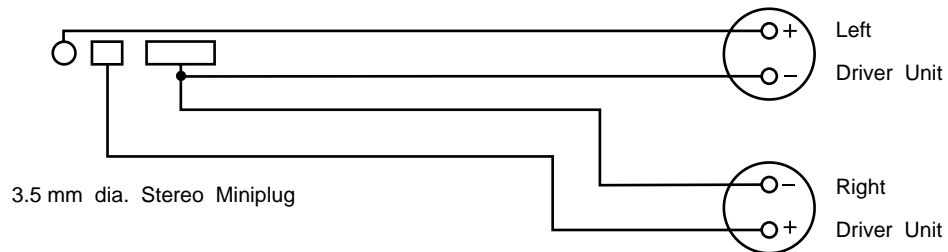


■ Packing Materials

△	Item No.	Parts No.	Parts Name	Q' ty	Description
	1	J46738-009	Sheet	2	Blue
	2	J46835-001	Instruction Sheet	1	

* Parts marked (△) are safety parts. When replacing, be sure to use the specified one.

Wiring Diagram





JVC

VICTOR COMPANY OF JAPAN, LIMITED

COMMUNICATION NETWORK BUSINESS UNIT, 1644, SHIMOTSURUMA, YAMATO-SHI, KANAGAWA-KEN, 242-8514, JAPAN